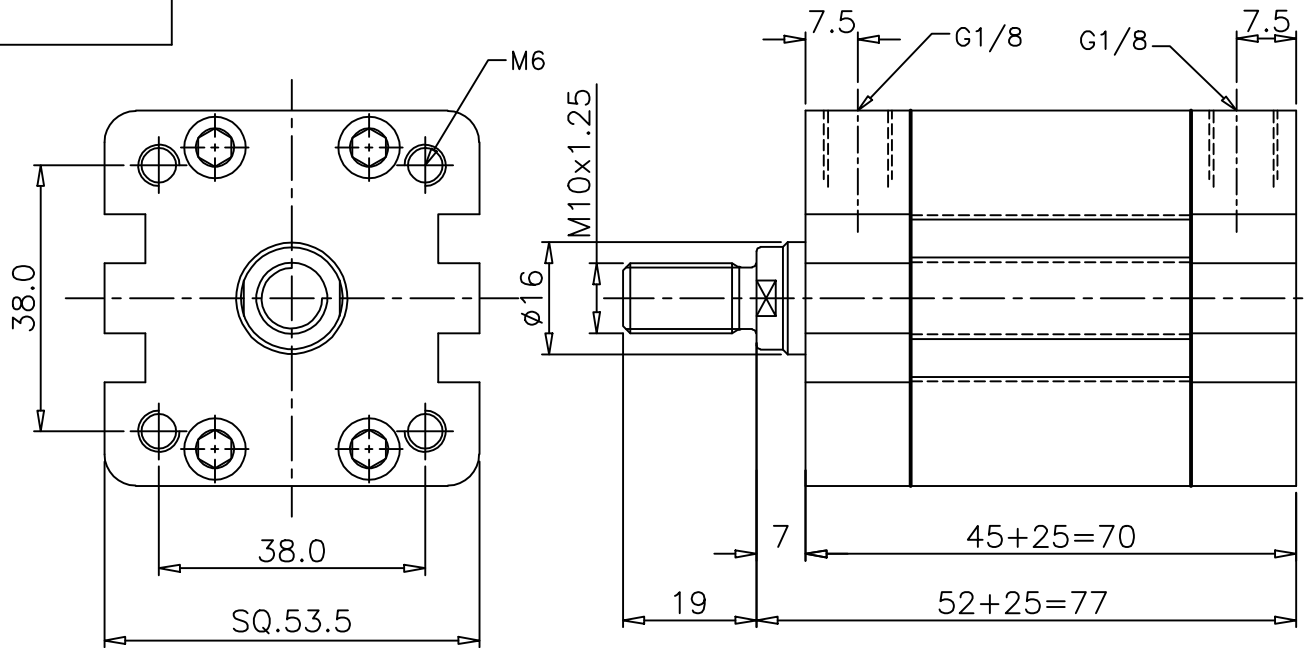


REVISIONS	SCHEDULES:	DRG.No. ZNRA/192040/M
	ALL DIMENSIONS ARE IN mm DO NOT SCALE THE DRAWING	



TECHNICAL DATA

- | | |
|-------------------------|---|
| 1. CYLINDER TYPE | : DOUBLE ACTING ISO/VDMA COMPACT CYLINDER |
| 2. BORE DIA | : 40 |
| 3. PISTON ROD DIA | : 16 |
| 4. STROKE | : 25 |
| 5. OPERATING PRESSURE | : 1 to 10 bar |
| 6. OPERATING TEMP. MAX. | : -5°C + 80°C |

MATERIAL OF CONSTRUCTION

- | | |
|---------------------------|---------------------------------|
| 1. END COVERS, PISTON | : ANODISED ALUMINIUM ALLOY |
| 2. BARREL | : HARD ANODISED ALUMINIUM ALLOY |
| 3. PISTON ROD | : STAINLESS STEEL (MARTENSITIC) |
| 4. PISTON ROD SEALS | : POLYURETHENE |
| 5. PISTON SEALS & O-RINGS | : NITRILE RUBBER |

NUCON INDUSTRIES PRIVATE LIMITED

ASSEMBLY: 40 mm BORE 25mm STROKE COMPACT CYLINDER	DRAWN	V.VINAY	19.11.2008
	CHECKED		
	APPROVED		
SCALE: NTS	TITLE:	DRG.No. ZNRA/192040/M	
	DATA SHEET	SHEET	OF