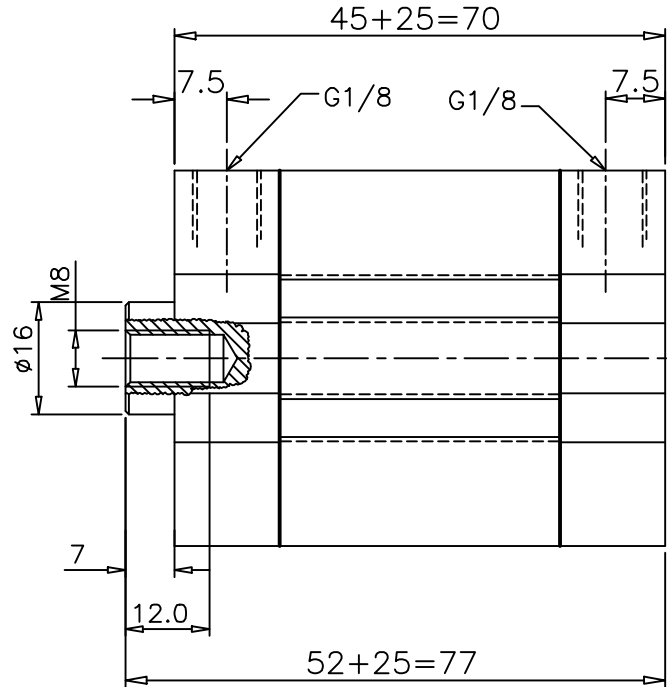
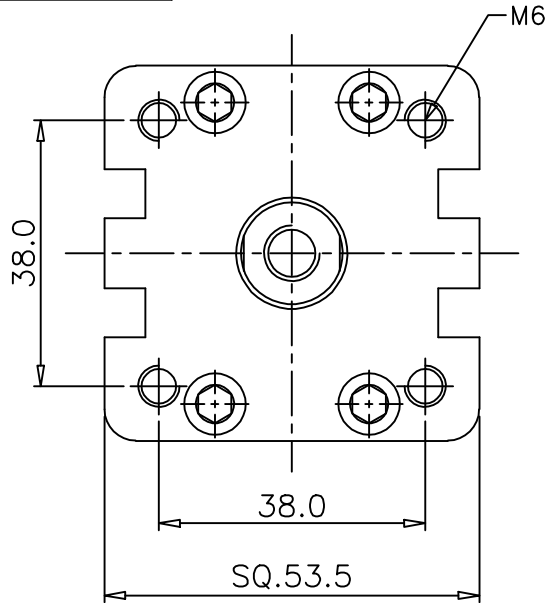


REVISIONS	SCHEDULES:	DRG.No. ZNRA/192040/MX
	ALL DIMENSIONS ARE IN mm DO NOT SCALE THE DRAWING	



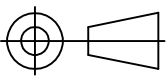
### TECHNICAL DATA

- |                         |   |
|-------------------------|---|
| 1. CYLINDER TYPE        | : DOUBLE ACTING ISO/VDMA COMPACT CYLINDER |
| 2. BORE DIA             | : 40                                      |
| 3. PISTON ROD DIA       | : 16                                      |
| 4. STROKE               | : 25                                      |
| 5. OPERATING PRESSURE   | : 1 to 10 bar                             |
| 6. OPERATING TEMP. MAX. | : -5°C + 80°C                             |

### MATERIAL OF CONSTRUCTION

- |                           |                                 |
|---------------------------|---------------------------------|
| 1. END COVERS, PISTON     | : ANODISED ALUMINIUM ALLOY      |
| 2. BARREL                 | : HARD ANODISED ALUMINIUM ALLOY |
| 3. PISTON ROD             | : STAINLESS STEEL (MARTENSITIC) |
| 4. PISTON ROD SEALS       | : POLYURETHENE                  |
| 5. PISTON SEALS & O-RINGS | : NITRILE RUBBER                |

NUCON INDUSTRIES PRIVATE LIMITED

ASSEMBLY: 40 mm BORE 25mm STROKE COMPACT CYLINDER	DRAWN	V.VINAY	19.11.2008
	CHECKED		
	APPROVED		
SCALE: NTS	TITLE:	DRG.No. ZNRA/192040/MX	
	DATA SHEET	SHEET	OF