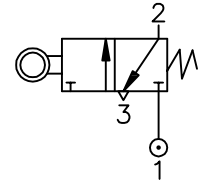


**3/2 POPPET VALVE (MECHANICALLY)
ROLLER OPERATED ,SPRING RETURN**

ZNCN/5512/8

Type : 3 way 2 position
 Port Size : M5
 Medium : Compressed Air
 Operating Pressure : 2 to 10 bar
 Operating Temperature : +5°C +60°C max.
 Flow : 59 l/min

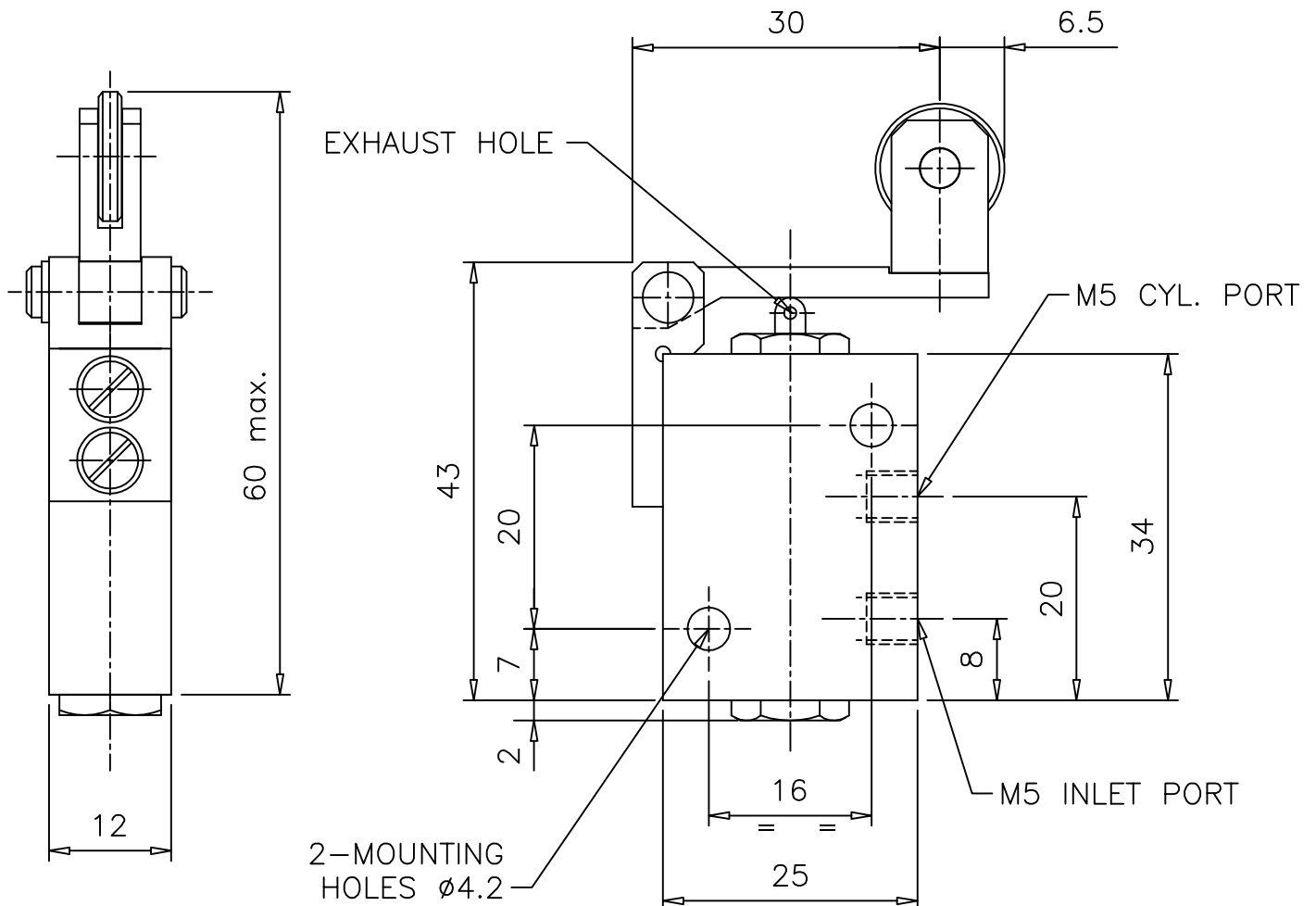


MATERIAL OF CONSTRUCTION

BODY : ALUMINIUM ANODISING
 SEALS : NITRILE
 ROLLER : STAINLESS STEEL

FEATURES:

- EXTREMELY COMPACT SIZE
- VERY LIGHT OPERATING FORCE
- NEAT , ATTRACTIVE , STYLING
- IDEAL TO USE AS PILOT VALVE & LIMIT SWITCHES



ALL DIMENSIONS ARE IN mm

NUCON ZANDER PRIVATE LIMITED

88 , C.I.E , BALANAGAR ,
 HYDERABAD - 500 037

DRAWN	SREENIVAS.M	17.07.2002
CHECKED		
APPROVED		