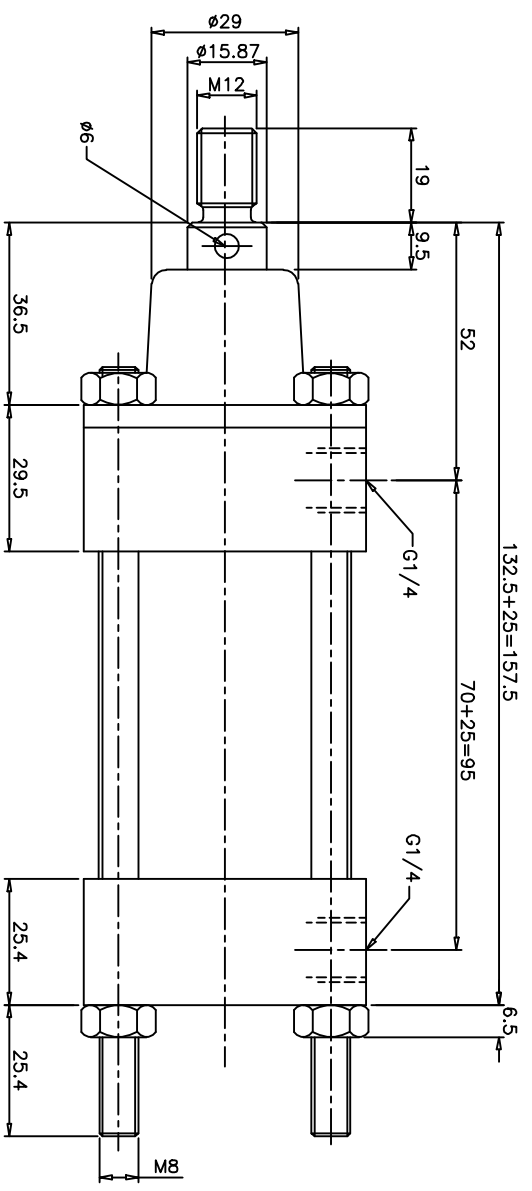
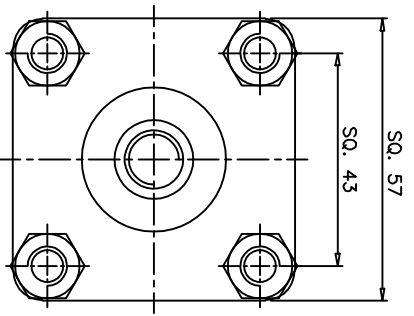


REVISIONS

SCHEDULES:

ALL DIMENSIONS ARE IN mm  
DO NOT SCALE THE DRAWING

DRG.No.  
ZAM/9175/25



### TECHNICAL DATA

- 1. CYLINDER TYPE : DOUBLE ACTING STANDARD CYLINDER
- 2. BORE DIA : 44.45
- 3. PISTON ROD DIA : 15.87 (5/8")
- 4. STROKE : 25
- 5. OPERATING PRESSURE : 2 to 10 bar
- 6. OPERATING TEMP. MAX. : + 80°C

### MATERIAL OF CONSTRUCTION

- 1. PISTON & END COVERS : DIE CAST ALUMINIUM ALLOY
- 2. BARREL : HARD ANODISED ALUMINIUM ALLOY
- 3. PISTON ROD : EN 8 WITH HARD CHROME PLATED
- 4. O-RING & SEALS : NITRILE RUBBER

## NUCON INDUSTRIES PRIVATE LIMITED

ASSEMBLY: 1 3/4"mm BORE 25mm STROKE STANDARD CYLINDER

SCALE: 1:1 TITLE: DATA SHEET

DRAWN	V.VINAY	19.11.2008
CHECKED		
APPROVED		
DRG.No.	ZAM/9175/25	
SHEET		OF