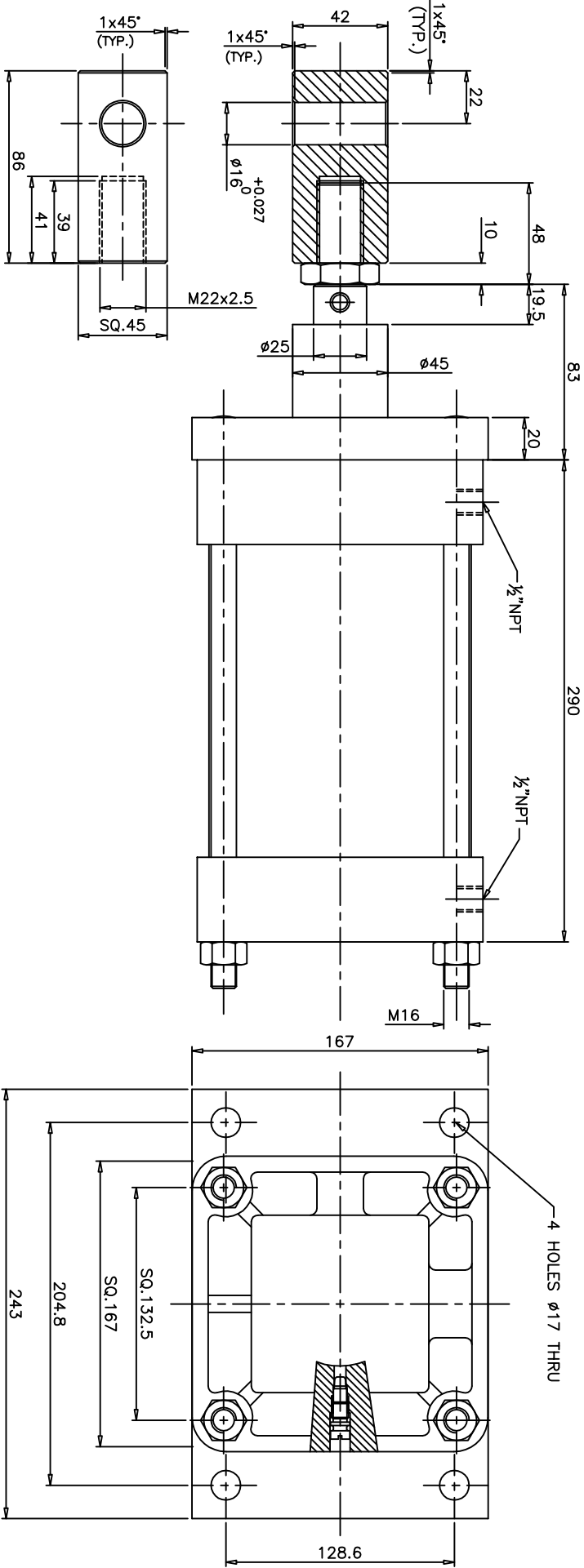


REVISIONS

SCHEDULES:

ALL DIMENSIONS ARE IN mm  
DO NOT SCALE THE DRAWING

DRG.No.  
DATA.ZKM/30005



**TECHNICAL DATA**

- 1. CYLINDER TYPE : DOUBLE ACTING WITH BOTH ENDS CUSHIONED
- 2. BORE DIA : 150
- 3. PISTON ROD DIA : 25
- 4. STROKE : 140
- 5. OPERATING PRESSURE : 2 - 10 bar
- 6. OPERATING TEMP. MAX. : + 80°C
- 7. MOUNTINGS : FRONT FLANGE MTG. STYLE-G (SPL.)  
: ROD CLEVIS MTG. STYLE-F (SPL.)

REMOVE BURRS AND SHARP CORNERS

**NUCON INDUSTRIES PRIVATE LIMITED**

GENERAL TOLERANCES		MATERIAL:		FINISH:	
Dimensions	0.5   6   30   120   400	/		/	
	6   30   120   400   1000				
Tolerances ±	0.1   0.2   0.3   0.5   0.8				
Angular ±1/2°	Concentricity φ 0.1				

ASSEMBLY:  
150mm BORE 140mm STROKE STAINLESS STEEL CYLINDER.

SCALE: NTS	TITLE:	DATA SHEET
DRG.No.	CHECKED	DRG.No.
APPROVED		30.07.2006
DRAWN		T.Prabhakar
SHEET		OF