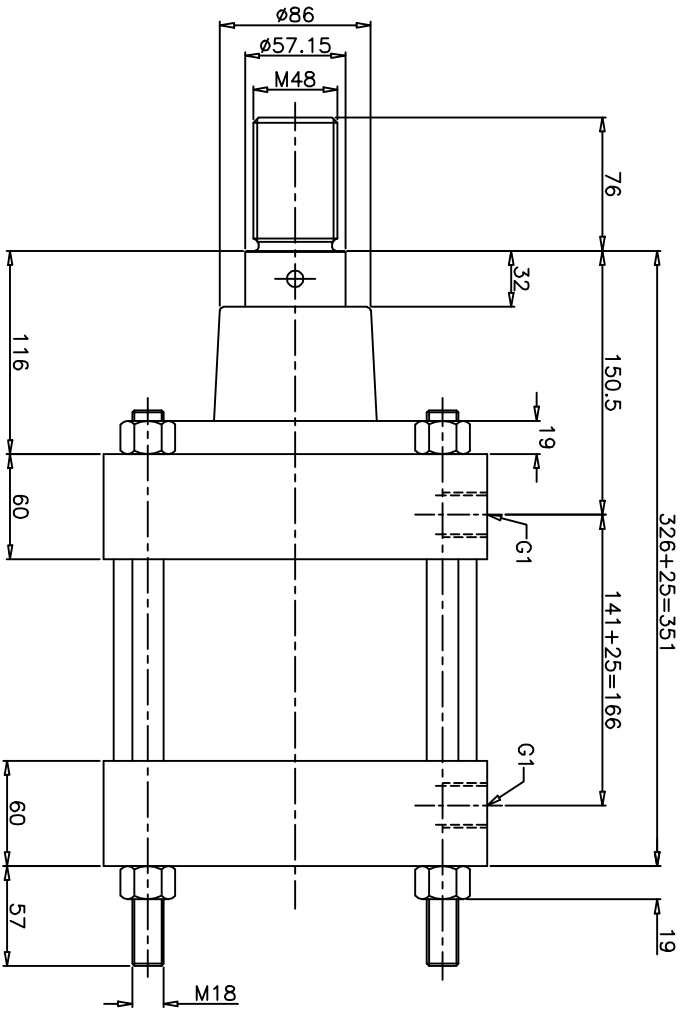
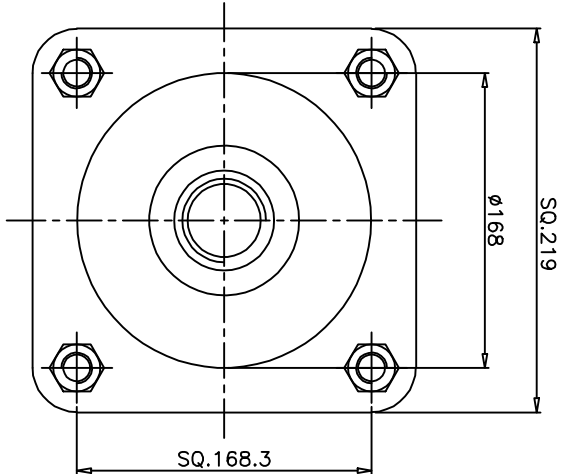


REVISIONS

SCHEDULES:

ALL DIMENSIONS ARE IN mm
DO NOT SCALE THE DRAWING

DRG.No. ZM-1081/25



TECHNICAL DATA

- 1. CYLINDER TYPE : DOUBLE ACTING HEAVY DUTY CYLINDER
- 2. BORE DIA : 8" (203.2mm)
- 3. PISTON ROD DIA : 2.25 (57.15mm)
- 4. STROKE : 25
- 5. OPERATING PRESSURE : 2 to 17 bar
- 6. OPERATING TEMP.MAX. : + 80°C

MATERIAL OF CONSTRUCTION

- 1. PISTON & END COVERS : CAST IRON
- 2. BARREL : CARBON STEEL WITH HARD CHROME PLATED (ID)
- 3. PISTON ROD : EN8 WITH HARD CHROME PLATED
- 4. O-RING & SEALS : NITRILE RUBBER

ASSEMBLY:		DRAWN:	
8" BORE 25mm STROKE HEAVY DUTY CYLINDER		K.V.M.M.V	
SCALE: 1:2		CHECKED:	
TITLE: DATA SHEET		APPROVED:	
DRG.No. ZM/1081/25		DATE:	
SHEET		OF	

NUCON INDUSTRIES PRIVATE LIMITED

