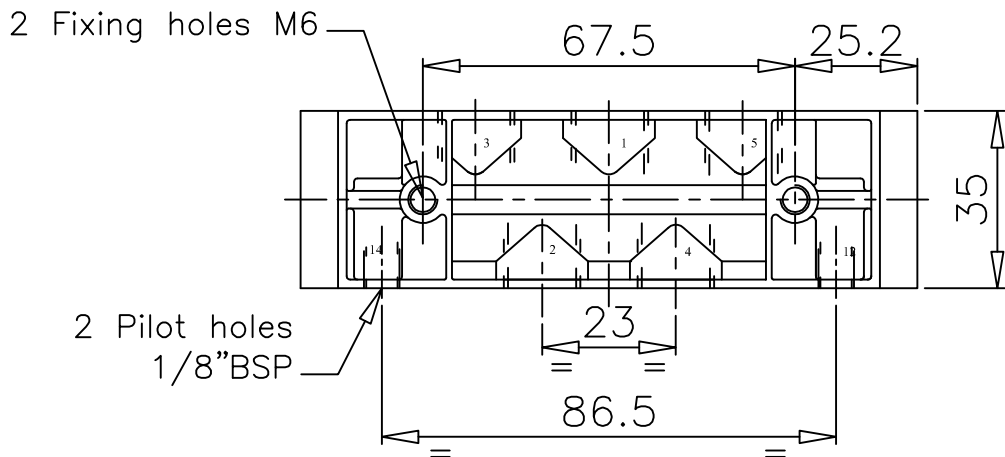
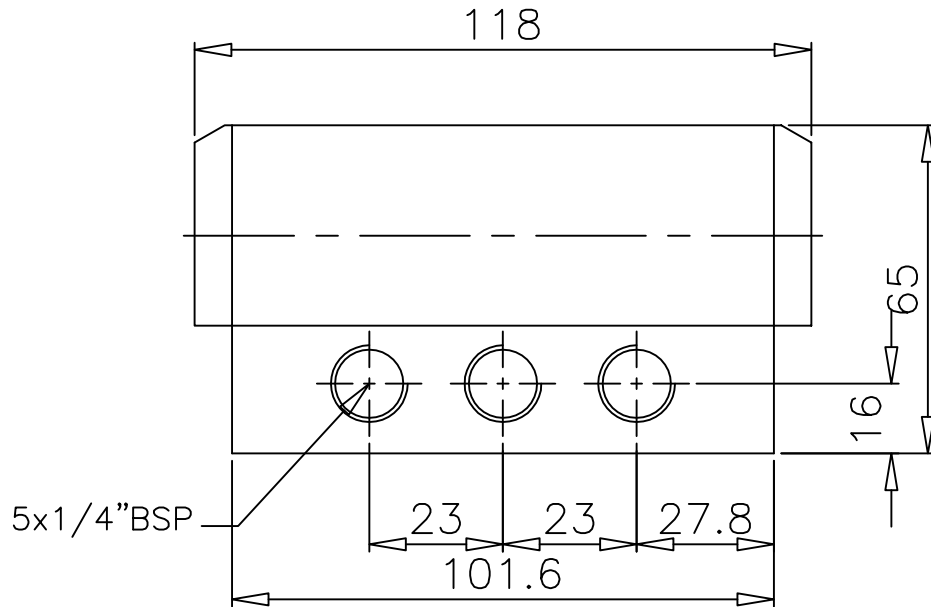
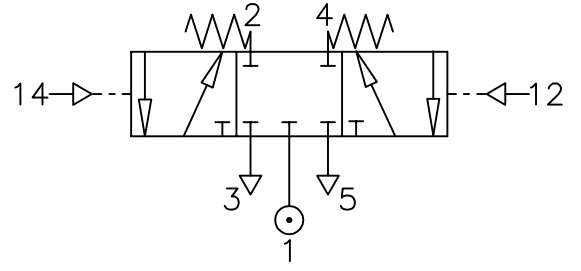


Spring Centralized, Pressure Actuated Fully sealed mid-position

ZM/1702/63

Type : 5/3
 Port Size : G1/4
 Operating Pressure : 2-10 bar
 Operating Temperature : +5°C to +80°C



ALL DIMENSIONS ARE IN mm