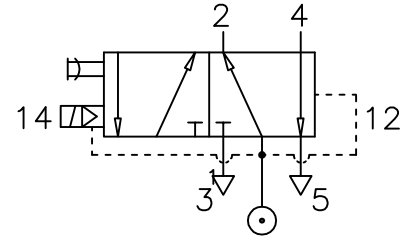


Solenoid pilot actuated, Air return

ZM/1762/152

Port Size : G1/4
 Operating Pressure : 2.7 - 10 bar
 Operating Temperature : +5°C to +50°C



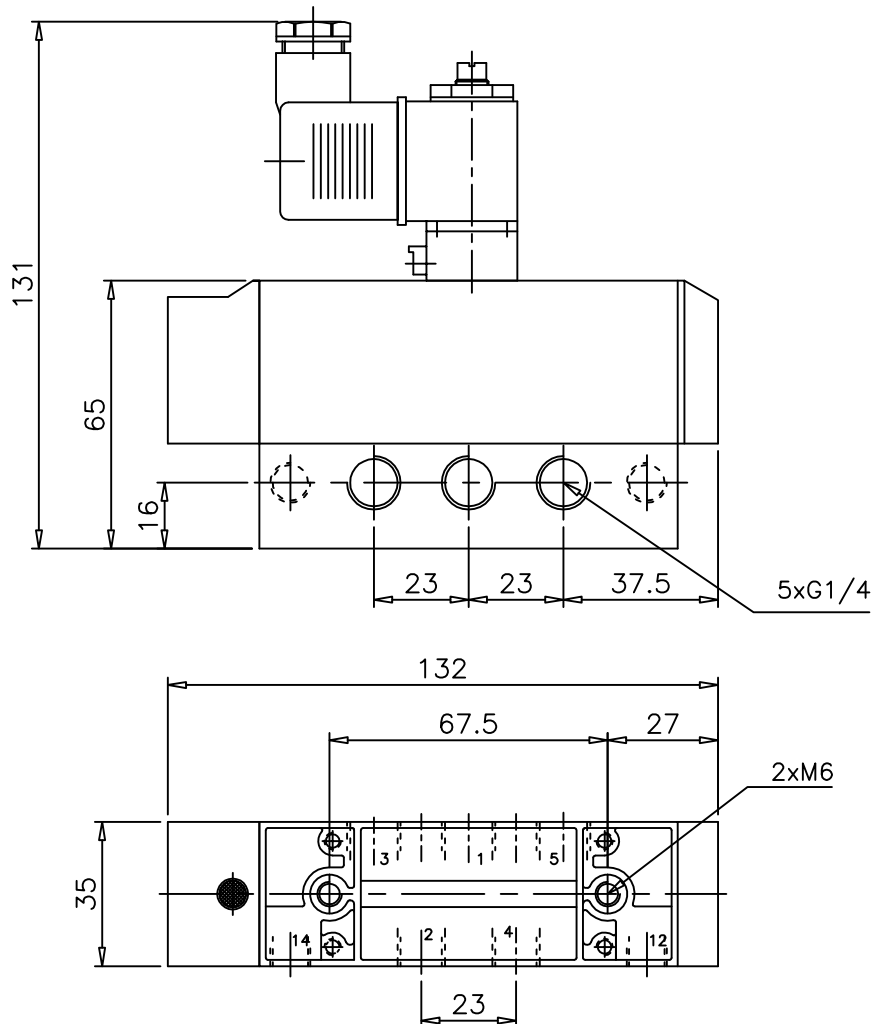
MATERIAL OF CONSTRUCTION

Body : Die cast Aluminium
 Seals : Nitrile

ELECTRICAL

Coil Voltage : 220V AC, (Code:137)
 : 110V AC, (Code:131)
 : 24V DC, (Code:010)

Insulation : Class `H`
 Protection Class : IP 65
 Thermal Box : 3 Pin plug to IP 65
 Response Time : On 10 ms , Off 10 ms



ALL DIMENSIONS ARE IN mm

NUCON INDUSTRIES PRIVATE LIMITED
 88, C.I.E., BALANAGAR,
 HYDERABAD - 500 037

DRAWN	T.Prabhakar	05.09.2008
CHECKED		
APPROVED		