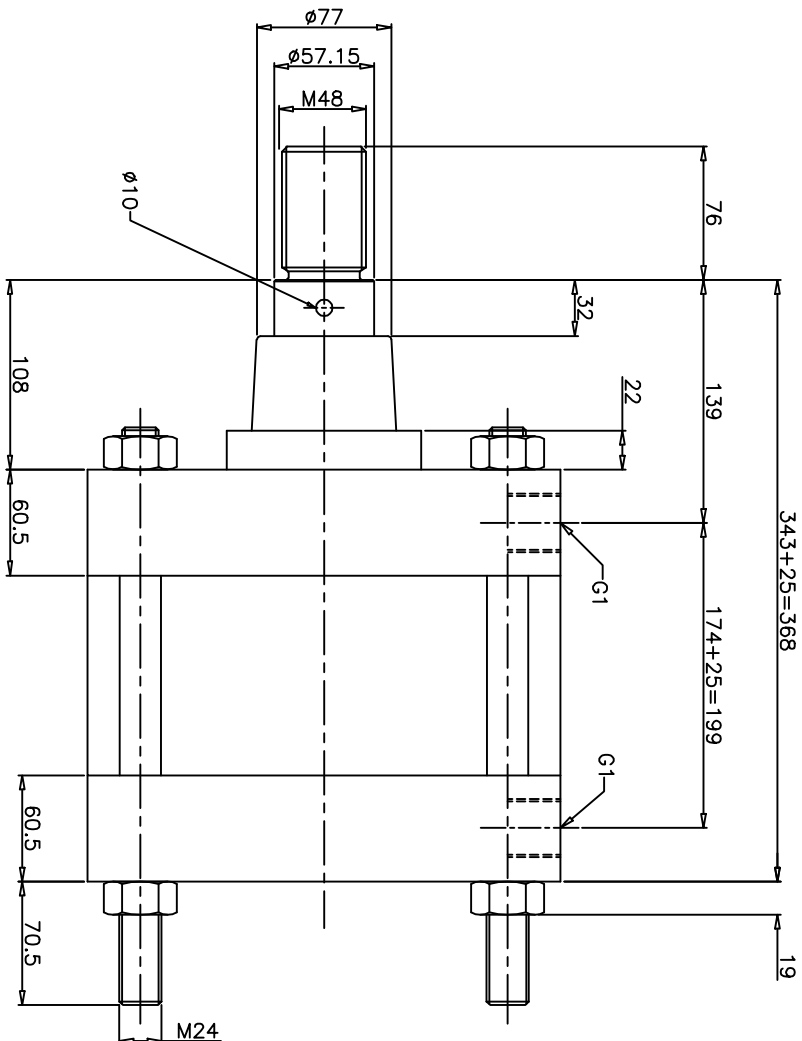
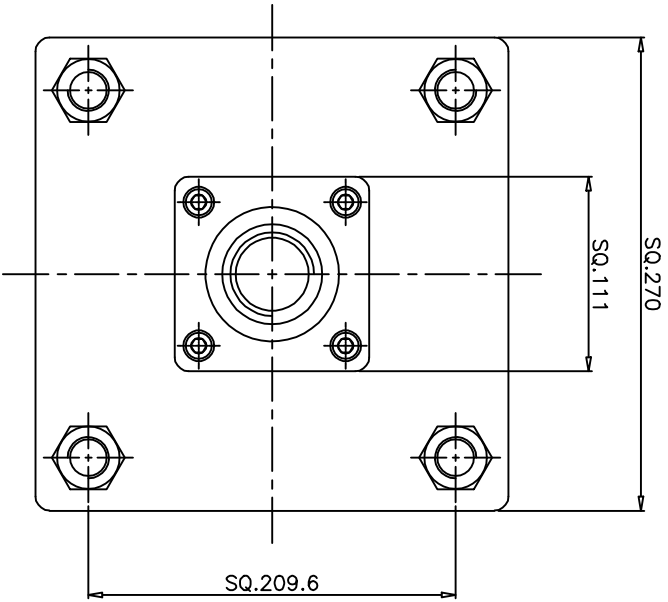


REVISIONS

SCHEDULES:

ALL DIMENSIONS ARE IN mm
DO NOT SCALE THE DRAWING

DRG.No.
ZM/9100/25



TECHNICAL DATA

- 1. CYLINDER TYPE : DOUBLE ACTING STANDERD CYLINDER
- 2. BORE DIA : 10"
- 3. PISTON ROD DIA : 57.15 (2 1/4")
- 4. STROKE : 25
- 5. OPERATING PRESSURE : 2 to 10 bar
- 6. OPERATING TEMP.MAX. : + 80°C

MATERIAL OF CONSTRUCTION

- 1. PISTON & END COVERS : DIE CAST ALUMINIUM ALLOY
- 2. BARREL : CARBON STEEL WITH HARD CHROME PLATED (ID)
- 3. PISTON ROD : EN8 WITH HARD CHROME PLATED
- 4. O-RING & SEALS : NITRILE RUBBER

NUCON INDUSTRIES PRIVATE LIMITED

ASSEMBLY:		DRAWN:	
10" BORE 25mm STROKE STANDERD CYLINDER		K/VMW	
SCALE: 1:2		CHECKED:	
TITLE: DATA SHEET		APPROVED:	
DRG.No. ZM/9100/25		DATE: 28.11.2008	
SHEET		OF	