

# 'AND' GATE VALVE

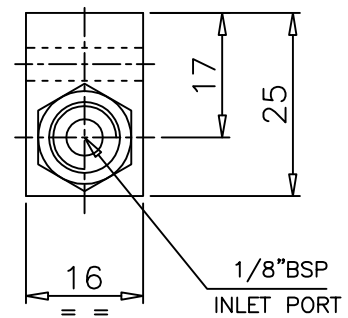
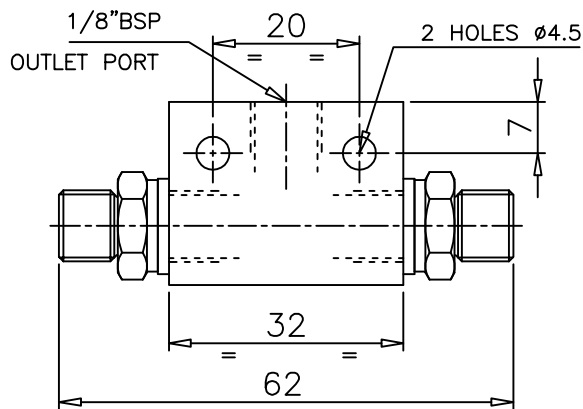
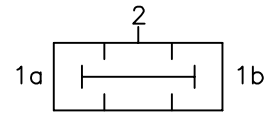
## ZNCN/1552

Inlet & Outlet Port Size : 1/8" BSP

Flow (Cv) : 0.08

Operating Temp. : +5 °C to +80 ° C

Operating Pr. : 2 - 10 bar



ALL DIMENSIONS ARE IN mm

NUCON ZANDER PRIVATE LIMITED  
88 , C.I.E , BALANAGAR ,  
HYDERABAD - 500 037

DRAWN	T.Prabhakar	10.09.2008
CHECKED		
APPROVED		