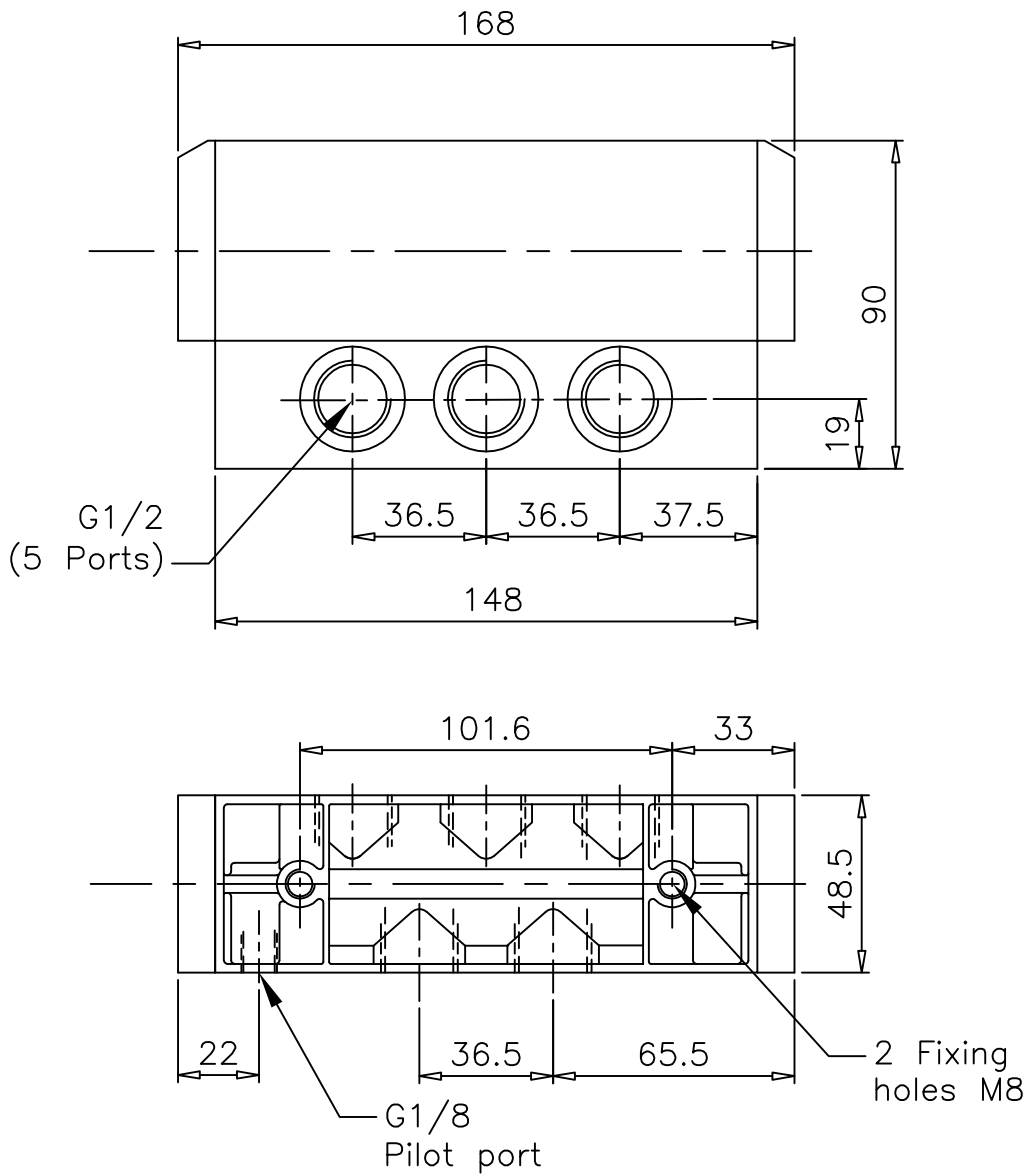
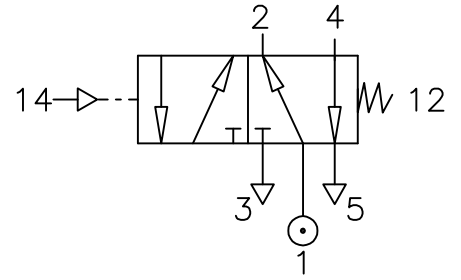


Pressure Actuated, Spring Return

ZNCN/1704/40

Type : 5/2
 Port Size : G1/2
 Operating Pressure : 2 - 10 bar
 Operating Temperature : 0°C to +80°C



ALL DIMENSIONS ARE IN mm

DRAWN	T.Prabhakar	05.09.2008
CHECKED		
APPROVED		