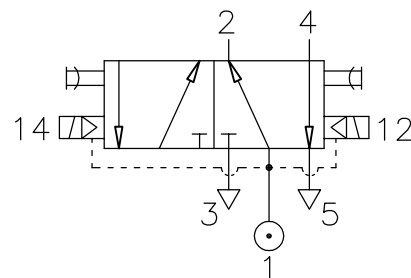


# Solenoid pilot actuated, Set Reset with Manual Override on Main Piston

## ZNCN/1764/123/MX

Port Size : 1/2" BSP  
 Operating Pressure : 2-10 bar  
 Operating Temperature : +5°C to +50°C



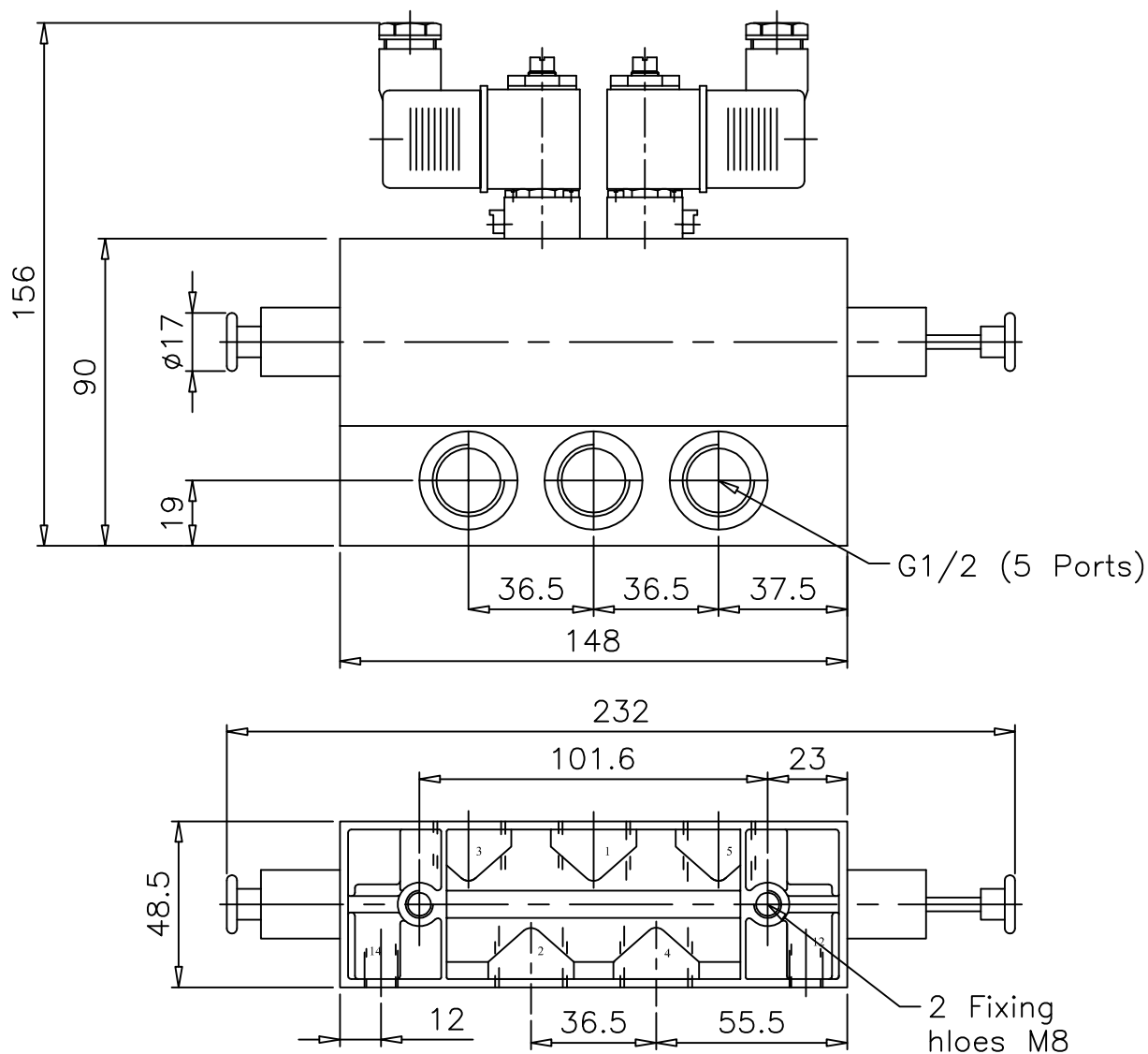
### MATERIAL OF CONSTRUCTION

Body : Aluminium  
 Seals : Nitrile

### ELECTRICAL

Coil Voltage : 220V AC, (Code:137)  
 : 110V AC, (Code:131)  
 : 24V DC, (Code:010)

Insulation : Class 'H'  
 Protection Class : IP 65  
 Terminal Box : 3 Pin plug to IP 65  
 Response Time : On 10 ms , Off 10 ms



ALL DIMENSIONS ARE IN mm