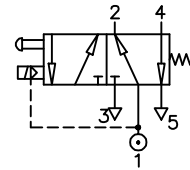


# 5/2 POPPET VALVE

Solenoid pilot actuated,  
spring return

**ZNCN/5062/122/\***

Port Size : G1/4  
Operating Pressure : 2-10 bar  
Operating Temperature : +5°C to +80°C

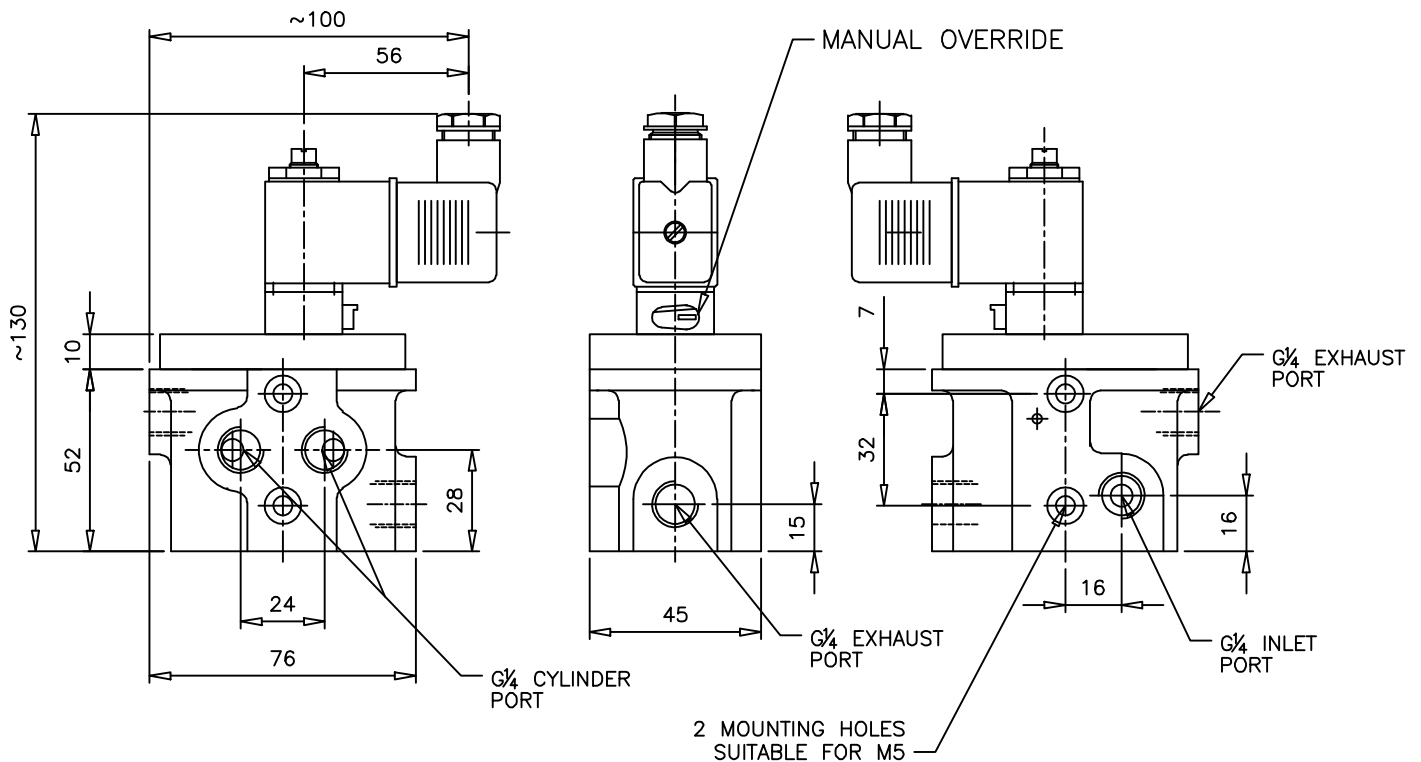


## MATERIAL OF CONSTRUCTION

Body : Aluminium casting  
Seals : Nitrile  
Spring : Stainless Steel

## ELECTRICAL

\* Coil Voltage : 220-240 VAC ; 50-60Hz  
Insulation : Class 'H'  
Protection Class : IP 65  
Terminal Box : 3 Pin plug to IP 65  
Response Time : On 10 ms , Off 10 ms



ALL DIMENSIONS ARE IN mm

NUCON INDUSTRIES PRIVATE LIMITED

88 , C.I.E , BALANAGAR ,  
HYDERABAD - 500 037

DRAWN	T.Prabhakar	16.12.2005
CHECKED		
APPROVED		