

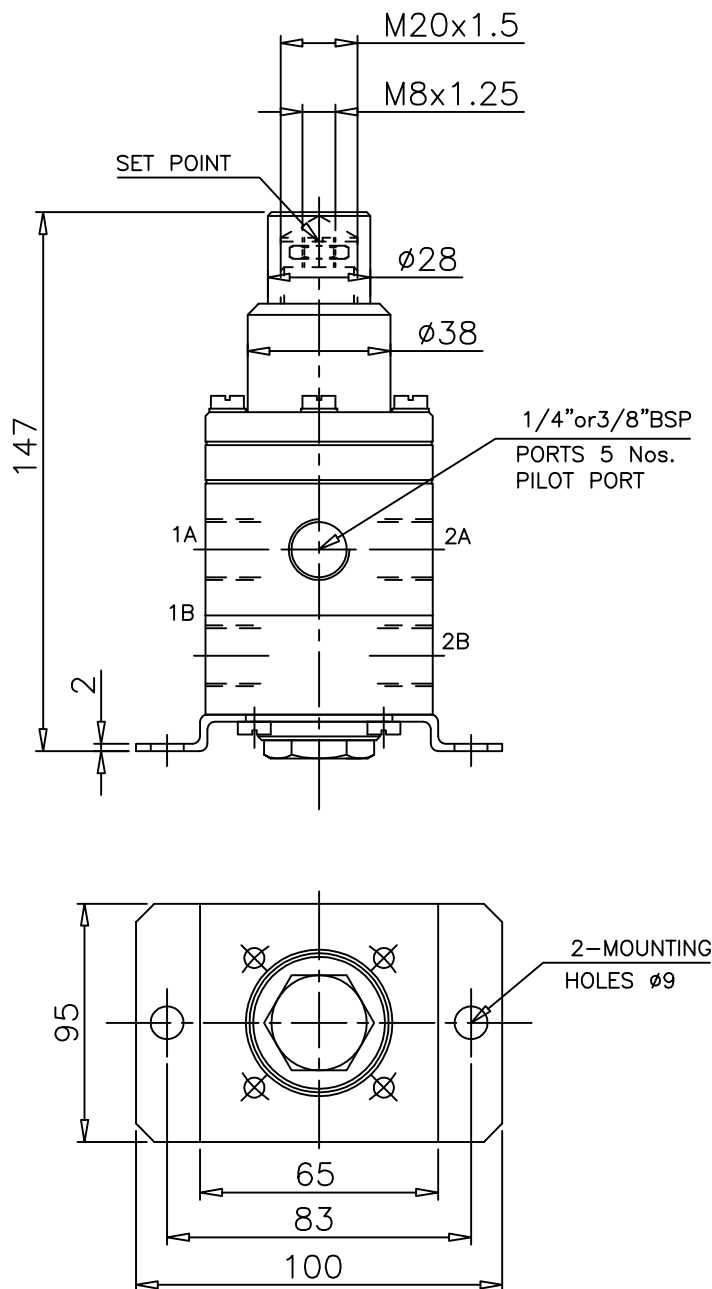
AIR LOCK VALVE

ZNCN/5152

Type : 5/2
Port Size : 1/4" & 3/8" BSP
Operating Pressure : 3 - 7 bar
Operating Temperature : +80°C max.

Models

ZNCN/5152/2/A : 1/4" BSP Valve with Al. Body
ZNCN/5152/2/B : 1/4" BSP Valve with Brass Body
ZNCN/5152/3/A : 3/8" BSP Valve with Al. Body
ZNCN/5152/3/B : 3/8" BSP Valve with Brass Body



ALL DIMENSIONS ARE IN mm

NUCON INDUSTRIES PRIVATE LIMITED
88 , C.I.E , BALANAGAR ,
HYDERABAD - 500 037

DRAWN	T.Prabhakar	10.09.2008
CHECKED		
APPROVED		