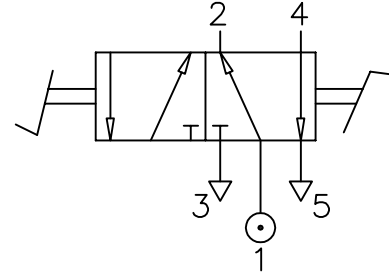


Treadle Set Reset

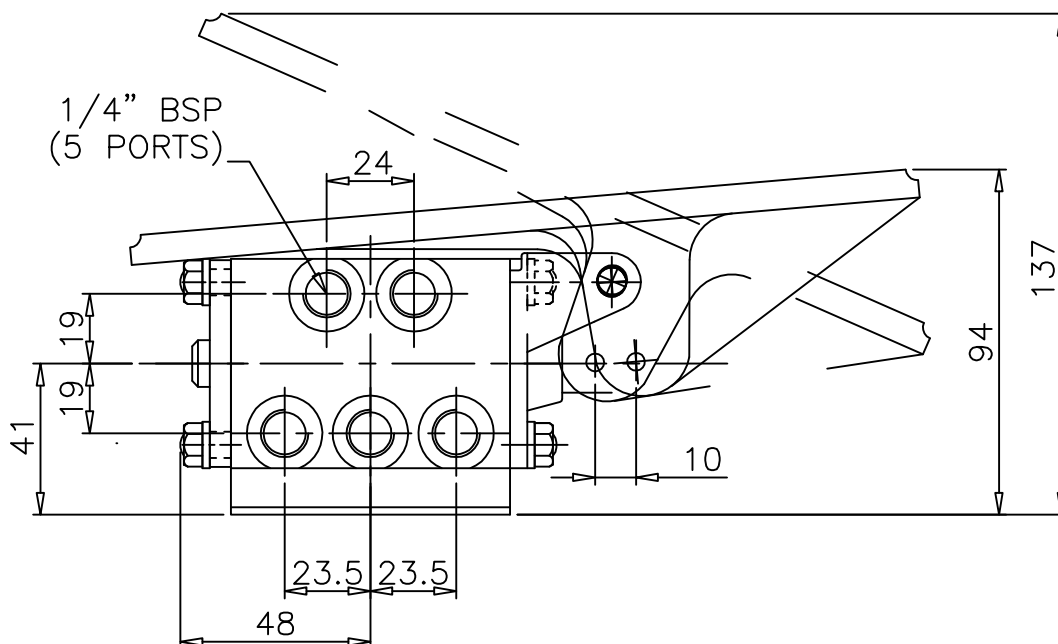
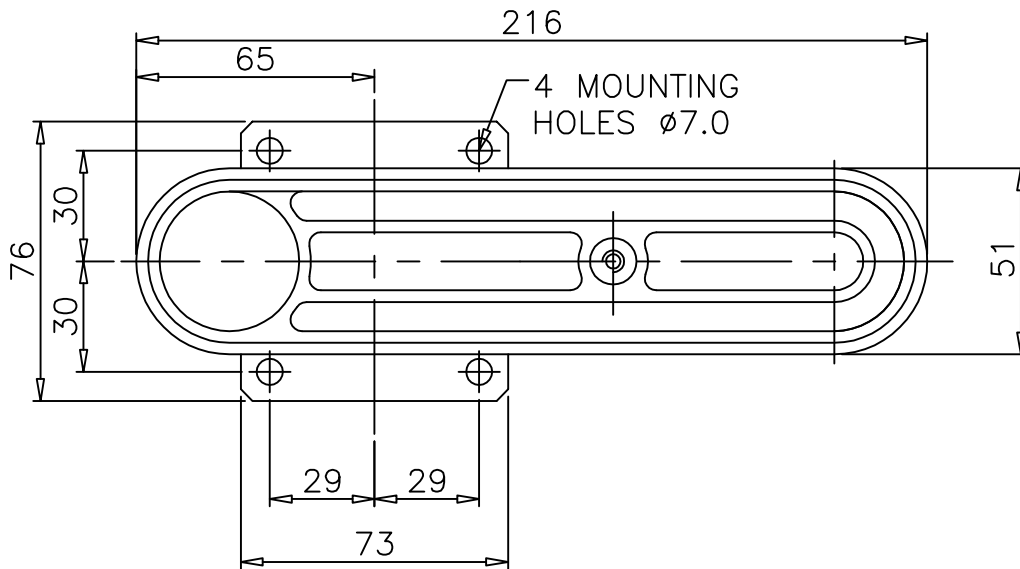
ZNCN/564/10

Type : 5/2
 Port Size : G1/4
 Operating Pressure : 1 - 7 bar
 Operating Temperature : 0°C to +80°C
 Manual Operating Force : 20N approx



MATERIAL OF CONSTRUCTION

Body : Aluminium
 Seals : Nitrile



ALL DIMENSIONS ARE IN mm

NUCON INDUSTRIES PRIVATE LIMITED
 88 , C.I.E , BALANAGAR ,
 HYDERABAD - 500 037

DRAWN	T.Prabhakar	06.09.2008
CHECKED		
APPROVED		