

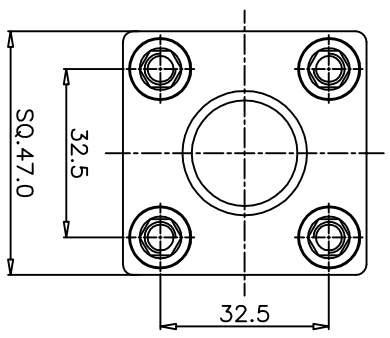
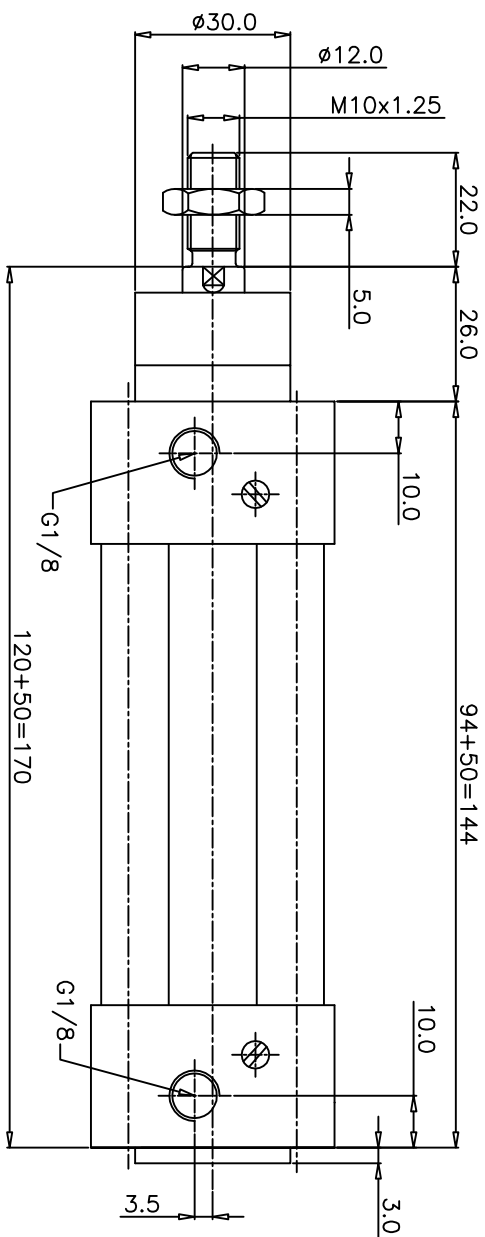
REVISIONS

SCHEDULES: ZPRM/8032

ALL DIMENSIONS ARE IN mm  
DO NOT SCALE THE DRAWING

DRG.No.

ZPRM/8032/50



REMOVE BURRS AND SHARP CORNERS

NUCON INDUSTRIES PRIVATE LIMITED

ASSEMBLY: 32mm BORE 50mm STROKE STD. CYLINDER

SCALE:1:1 TITLE: DATA SHEET

DRAWN	V.VINAY	28.08.2008
CHECKED		
APPROVED		
DRG.No.	ZPRM/8032/50	
SHEET		OF