

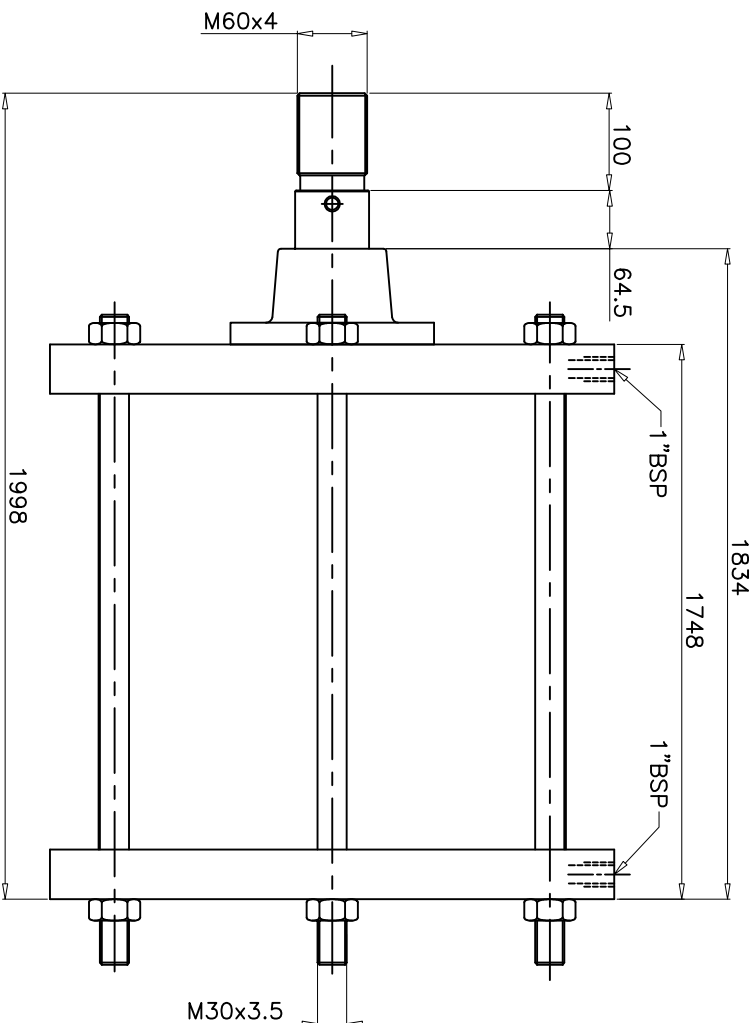
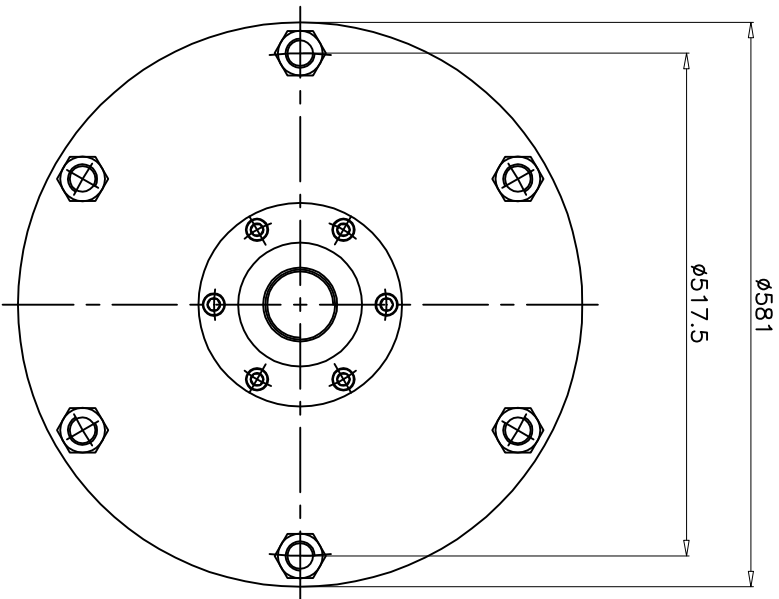
REVISIONS

SCHEDULES:

ALL DIMENSIONS ARE IN mm  
DO NOT SCALE THE DRAWING

DRG.No.

DATA.ZRM/70007



TECHNICAL DATA

- 1. CYLINDER TYPE : DOUBLE ACTING NON CUSHIONED
- 2. BORE DIA : 18"
- 3. PISTON ROD DIA : 63.5 mm
- 4. STROKE : 1550 mm
- 5. OPERATING PRESSURE : 2-10 bar
- 6. OPERATING TEMP.MAX. : + 80 °C
- 7. SEALS : NITRILE

NUCON INDUSTRIES PRIVATE LIMITED

ASSEMBLY:

SCALE:NTS	TITLE:	DRAWN	T.Probhoakar	13.09.2008
	AIR CYLINDER	CHECKED		
		APPROVED		
		DRG.No.		

AIR CYLINDER

DATA.ZRM/70007



SHEET OF