

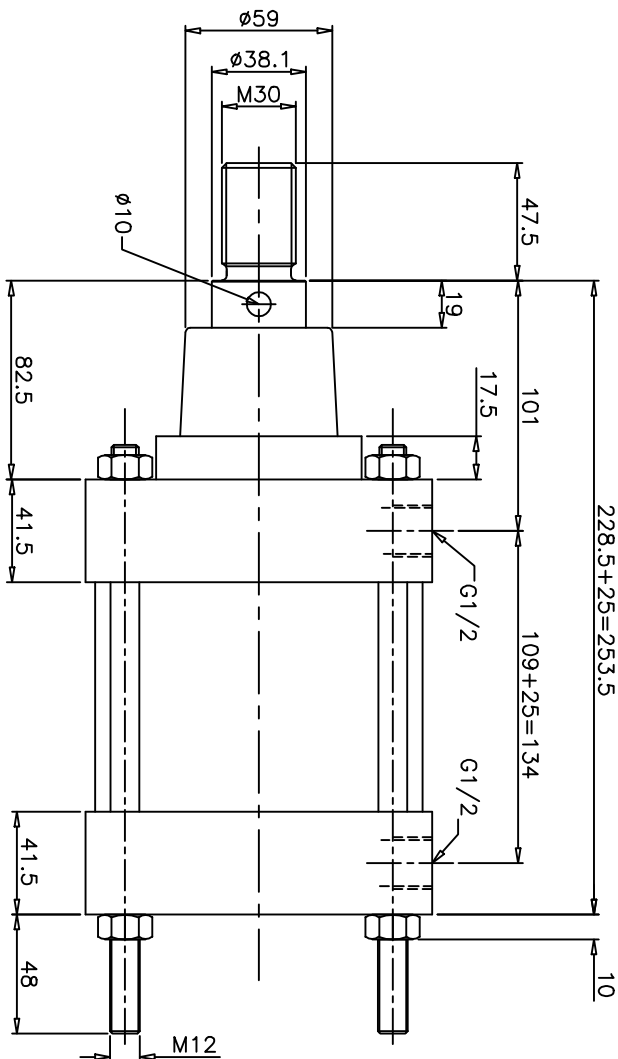
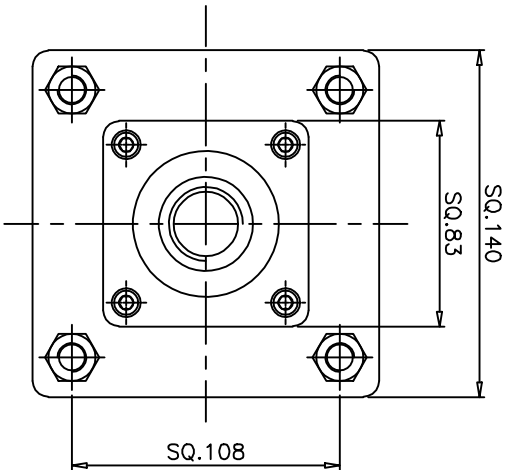
REVISIONS

SCHEDULES:

ALL DIMENSIONS ARE IN mm
DO NOT SCALE THE DRAWING

DRG.No.

ZRM/950/25



TECHNICAL DATA

- 1. CYLINDER TYPE : DOUBLE ACTING STANDERD CYLINDER
- 2. BORE DIA : 125
- 3. PISTON ROD DIA : 38.1 (1 1/2")
- 4. STROKE : 25
- 5. OPERATING PRESSURE : 2 to 10 bar
- 6. OPERATING TEMP.MAX. : + 80°C

MATERIAL OF CONSTRUCTION

- 1. PISTON & END COVERS : DIE CAST ALUMINIUM ALLOY
- 2. BARREL : HARD ANODISED ALUMINIUM ALLOY
- 3. PISTON ROD : EN8 WITH HARD CHROME PLATED
- 4. O-RING & SEALS : NITRILE RUBBER

NUCON INDUSTRIES PRIVATE LIMITED

ASSEMBLY:

125mm BORE 25mm STROKE STANDERD CYLINDER

SCALE: 1:2 TITLE:

DATA SHEET

DRAWN: V.VINAY 28.11.2008

CHECKED: APPROVED:

DRG.No. ZRM/950/25

SHEET OF