

NON - RETURN VALVE

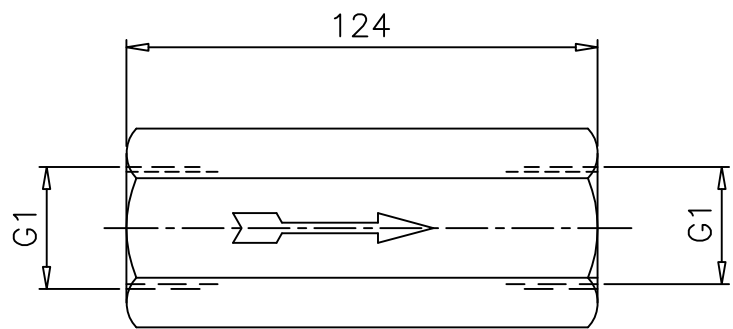
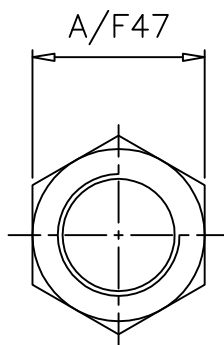
Medium : Compressed air, filtered, lubricated & non lubricated

Mounting : Line mounted, concentrically

Port Sizes : G 1

Operating Pressure : 0.3 to 16.7 bar

Operating Temperature : 0°C to +80°C



ALL DIMENSIONS ARE IN mm

NUCON INDUSTRIES PRIVATE LIMITED

88 , C.I.E , BALANAGAR ,
HYDERABAD - 500 037

| | | |
|----------|-------------|------------|
| DRAWN | T.Prabhakar | 08.09.2008 |
| CHECKED | | |
| APPROVED | | |