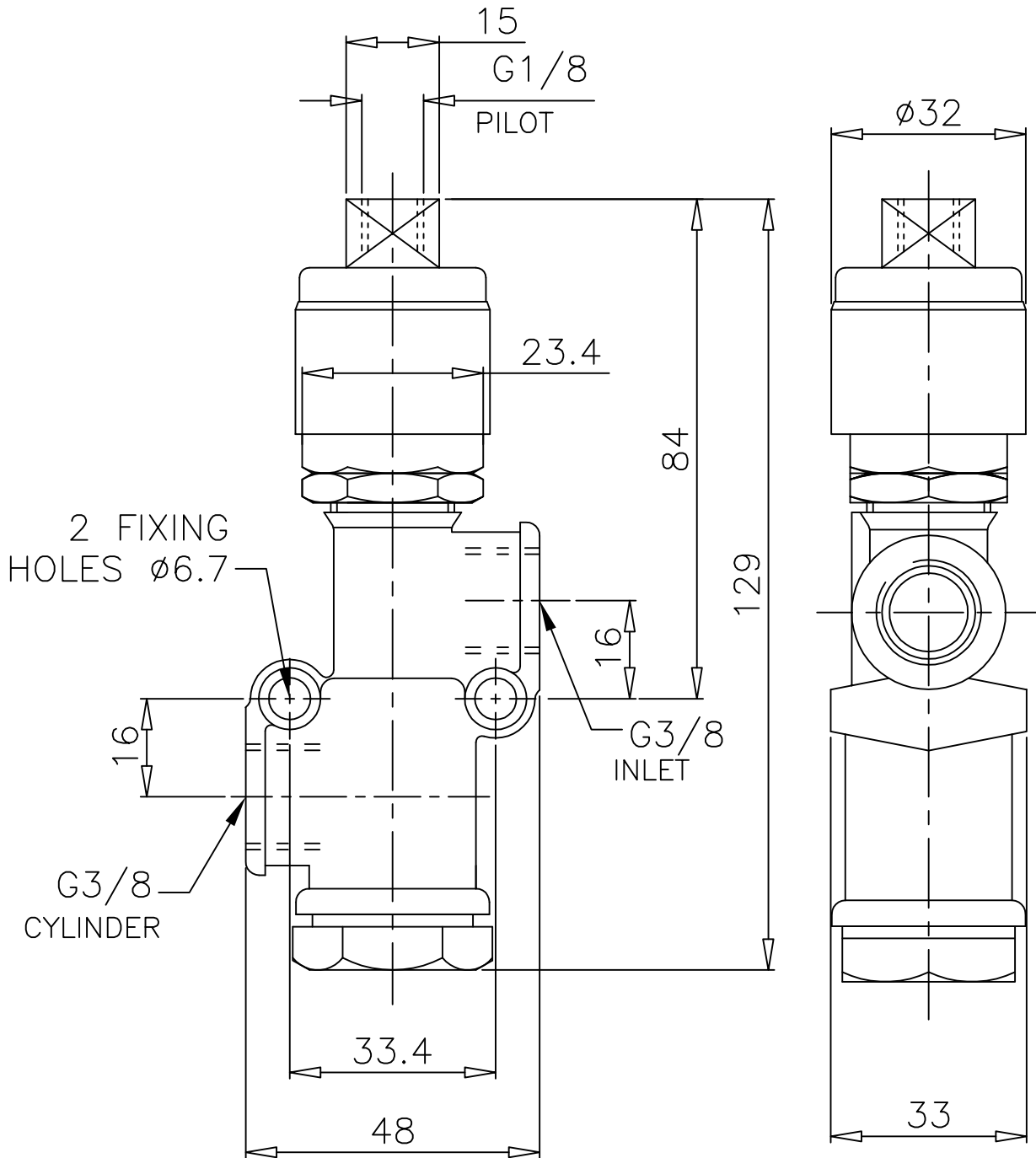
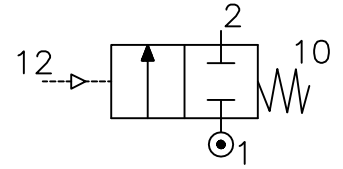


# PRESSURE ACTUATED, SPRING RETURN

## ZS/534/40

Type : 2/2 Poppet Valve  
 Pressure Actuated  
 Port Size : G 3/8  
 Operating Pressure : 0 - 7 bar  
 Operating Temperature : 0°C to +80°C  
 Flow (Cv) : 2.7  
 Pilot supply : 2.8+(0.45xsupply pressure) bar



ALL DIMENSIONS ARE IN mm

NUCON INDUSTRIES PRIVATE LIMITED  
 88 , C.I.E , BALANAGAR ,  
 HYDERABAD - 500 037

DRAWN	T.Prabhakar	05.09.2008
CHECKED		
APPROVED		