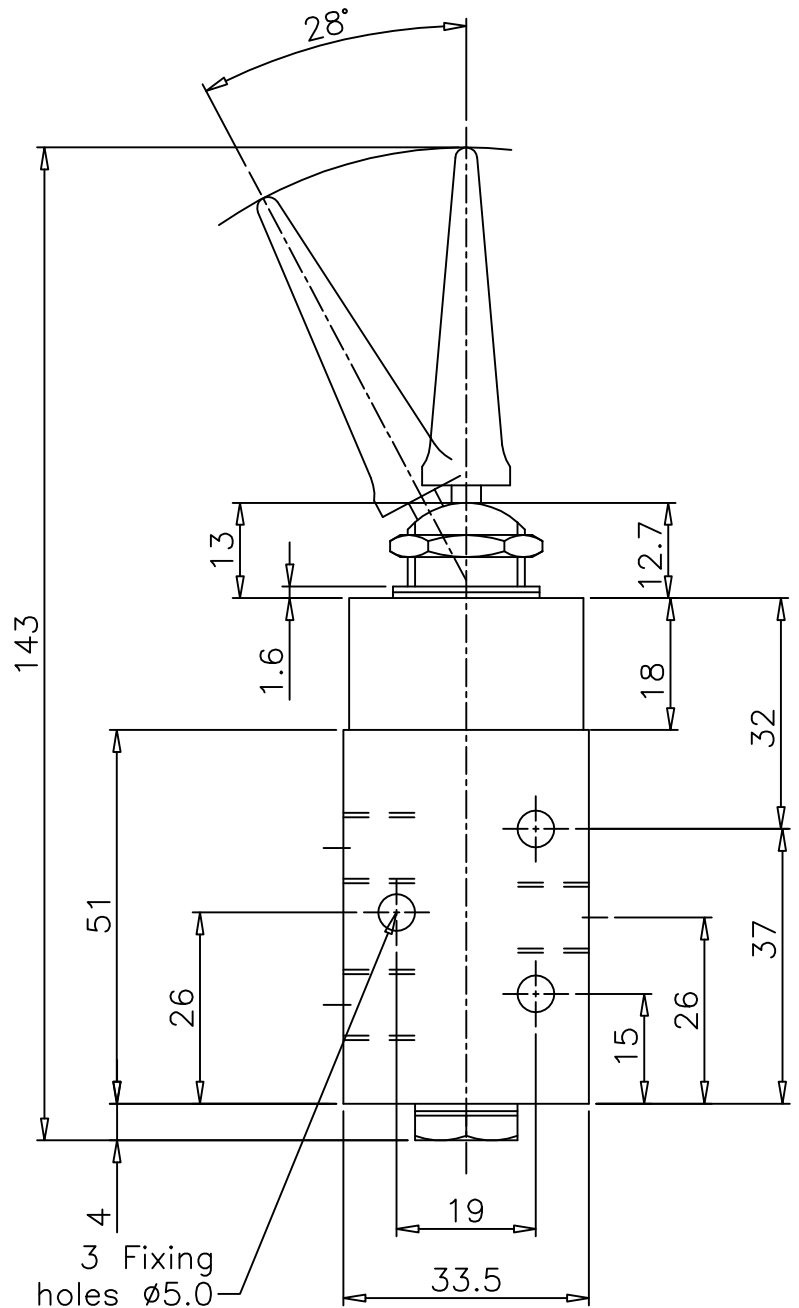
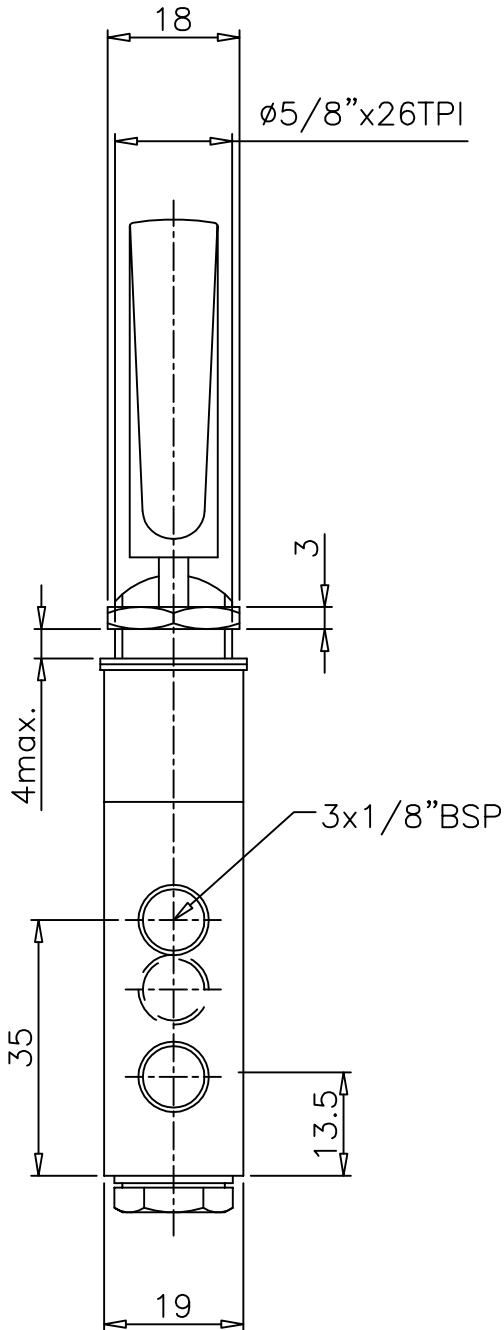
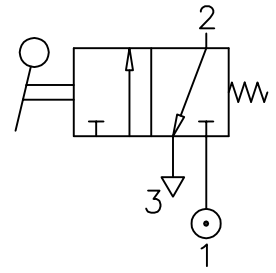


Lever operated, Spring return

ZS/666/6

Type : 3/2 Normally closed
Port Size : 1/8" BSP
Operating Pressure : 2 - 10 bar
Operating Temperature : +80°C max.



ALL DIMENSIONS ARE IN mm

NUCON INDUSTRIES PRIVATE LIMITED
88 , C.I.E , BALANAGAR ,
HYDERABAD - 500 037

| | | |
|----------|-------------|------------|
| DRAWN | T.Prabhakar | 19.11.2007 |
| CHECKED | | |
| APPROVED | | |