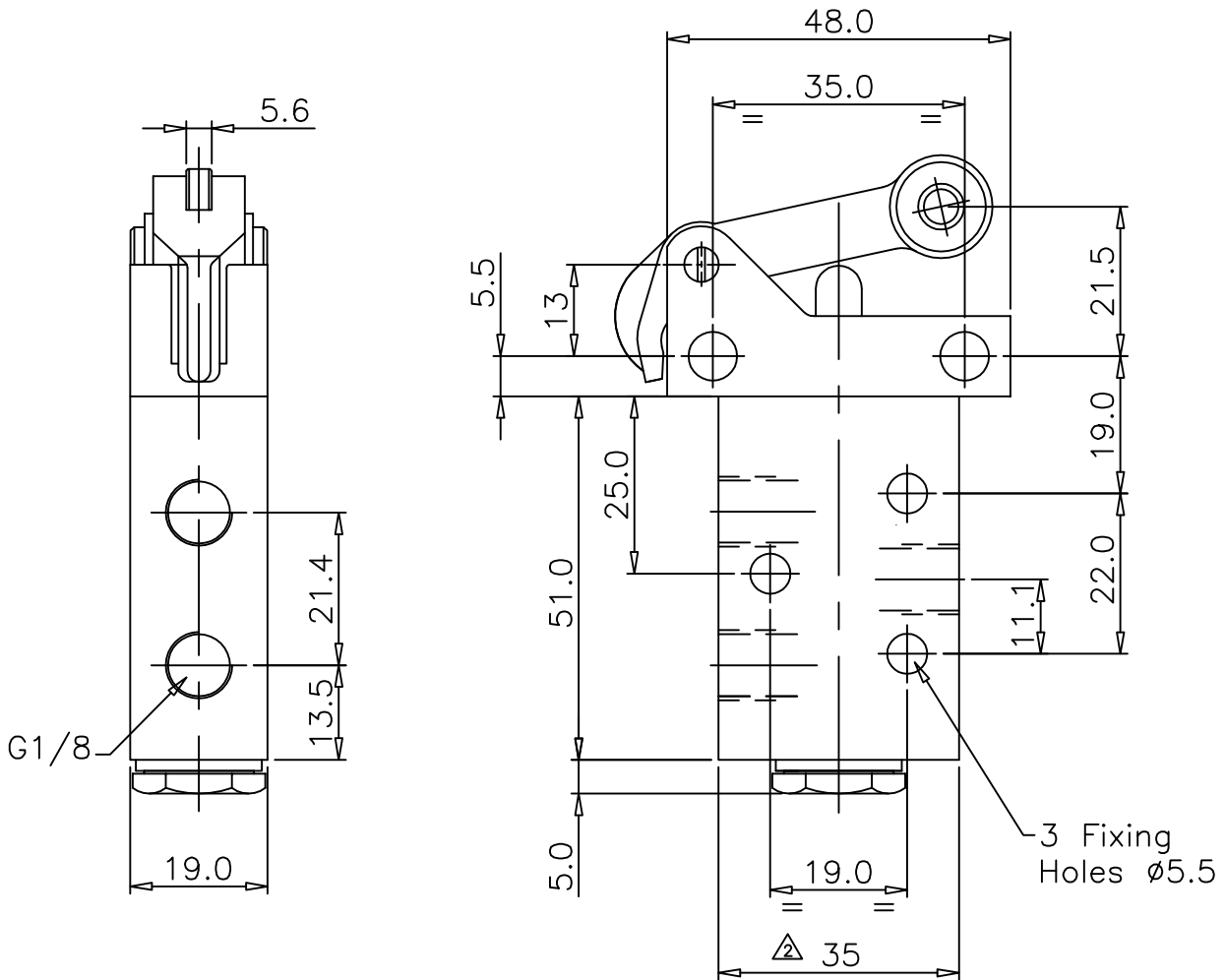
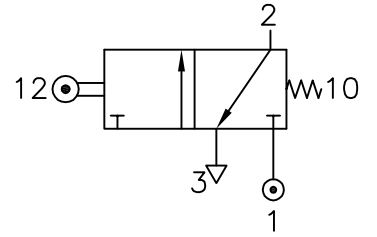


Roller Actuated, Spring Return

ZS/666/8

Type : 3/2 Normally closed
 Port Size : 1/8" BSP
 Operating Pressure : 2 - 10 bar
 Operating Temperature : +80°C max.



ALL DIMENSIONS ARE IN mm